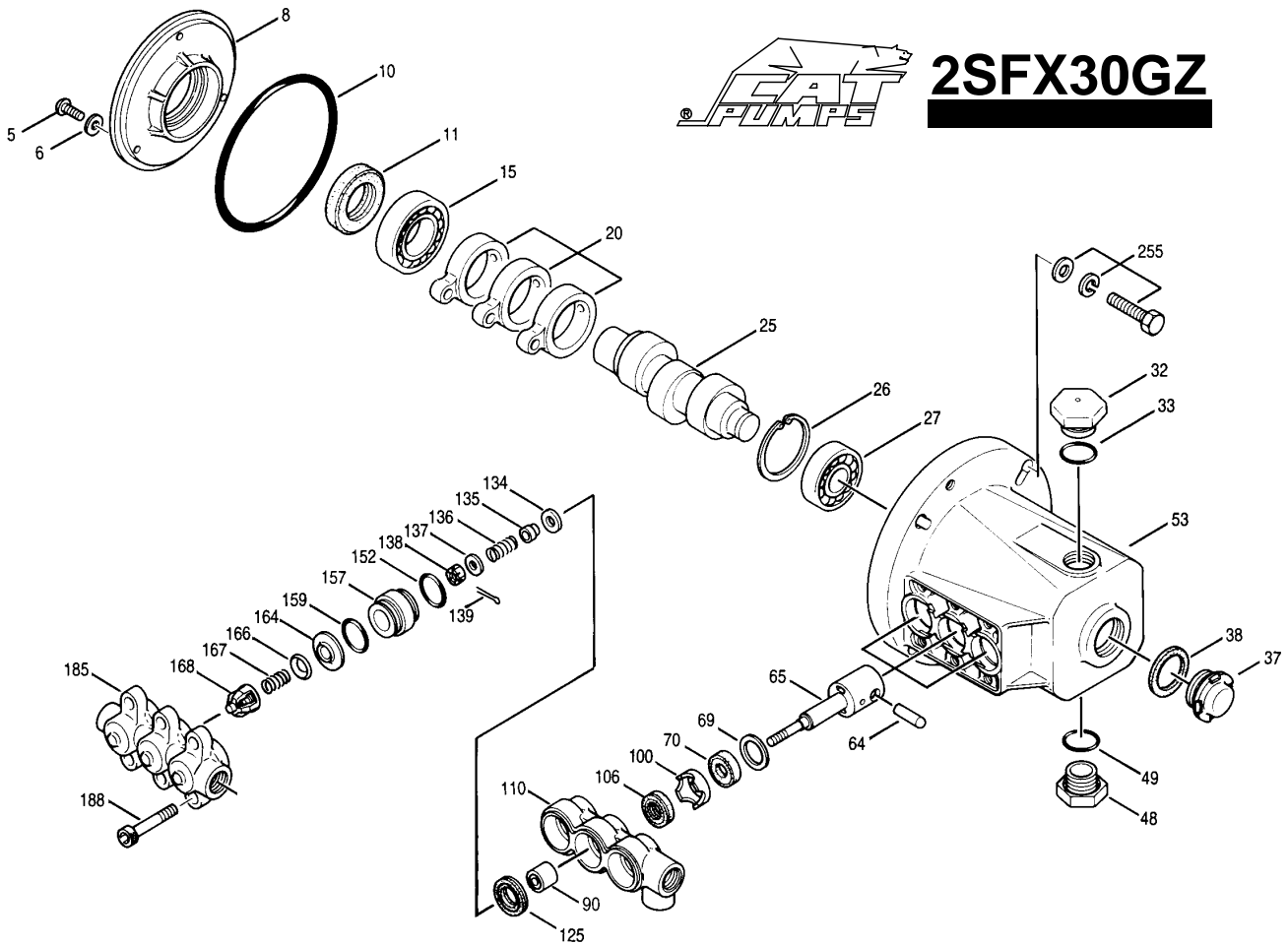


# 2SFX30GZ



ITEM	PART #	DESCRIPTION	QTY
5	89551	Screw, HHC (M6x16)	3
6	150810	Washer, Seal (M6)	3
8	44857	Cover, Bearing, Inner	1
10	14044	O-Ring Bearing Cover	1
11	44859	Seal, Oil	1
15	14488	Bearing, Ball, Inner	1
20	542951	Rod, Connecting	3
25	542441	Crankshaft, 3450RPM, 3/4", 4.7mm	1
26	12385	Ring, Retaining	1
27	15710	Bearing, Ball, Outer	1
32	45690	Cap, Oil Filler	1
33	14179	O-Ring, Oil Filler Cap - 70	1
37	43987	Gauge, Bubble Oil	1
38	44428	Gasket, Flat Flex, Oil Gauge - 80	1
48	44842	Plug, Drain (1/2" NPT)	1
49	14179	O-Ring, Drain Plug - 70	1
53	541018	Crankcase	1
64	16948	Rist, Pin	3
65	542958	Rod, Plunger	3
69	20017	Washer (M24)	3
70	25461	Seal, Oil	3
100	44869	Retainer, Seal	3
106	44876	LPS w/S-Spg	3
110	44874	Manifold, Inlet	1
124	45847	Ceramic Plunger	3
125	43245	HPS w/S PS	3
134	45854	Valve, Inlet	3
135	44871	Spacer	3
136	44872	Spring, Inlet Valve	3
137	88575	Washer, Conical (M6)	3

ITEM	PART #	DESCRIPTION	QTY
138	81240	Nut, Hex (M6)	3
152	26089	O-Ring, Adapter - 80	3
157	44878	Spacer, Discharge, Seat	3
159	26089	O-Ring, Adapter - 80	3
164	44881	Seat	3
166	43723	Valve	3
167	541062	Spring	3
168	44565	Retainer, Spring	3
185	44879	Manifold, Discharge	1
188	87859	Screw, HSH (M8x75)	6
249	30968	Kit, Adapter Mount, Gas	1
255	30517	Kit, Bolt Mount	1

### VALVE KIT

34052		
ITEM	PART #	QTY
152	26089	3
159	26089	3
164	44881	3
166	43723	3
167	541062	3
168	44565	3

### INLET VALVE KIT

34688		
ITEM	PART #	QTY
134	45854	3
135	44871	3
136	44872	3
137	88575	3
138	81240	3
152	26089	3
159	26089	3

### SEAL KIT

34053		
ITEM	PART #	QTY
106	44876	3
125	43245	3
152	26089	3
159	26089	3